

# IN-LINE HIGH PRESSURE FILTERS HF 760-765 SERIES



Replaces: HF 760 02 T E

The in-line high pressure filters HF 760 and HF 765 series are specifically designed to be connected on the pressure line of the hydraulic circuit and provide versatility to safeguard the circuit components from contaminating particles.

- MULTILAYER SYSTEM
- FILTRATION RATIO  $\beta_x \geq 200$
- UPPER AND SIDE OUTLET PORTS

COMPLETE FILTER		
<b>MATERIALS</b>	Head	Spheroidal cast iron GS 450-10 UNI ISO 1083
	Bowl	Extruded steel
	Seals	Buna - Viton
<b>FLUID COMPATIBILITY CONFORMING TO ISO 2943</b>	With reference to ISO 6743/4	With fluid (HH-HL-HM-HR-HV-HG), and water emulsion (HFAE-HFAS) use filters with Buna seals. With water - glycol (HFC) ask for anodizing treatment.
		With synthetic fluid (HS-HFDR-HFDU-HFDS) use filters with Viton seals.
<b>FLOW RANGE</b>	min.	30 [l/min]
	max.	400 [l/min]
<b>MAX. WORKING PRESSURE</b>		42000 [kPa] 420 bar
<b>TESTING PRESSURE</b>		60000 [kPa] 600 bar
<b>BURST PRESSURE</b>		126000 [kPa] 1260 bar
<b>REFERENCE FATIGUE LIFE</b>	HF 760-20/30 (with $\Delta p$ 0 ÷ 420 bar)	1.000.000 cycles
	HF 760-40 (with $\Delta p$ 0 ÷ 280 bar)	
<b>OPERATING TEMPERATURE</b>	With Buna seals	- 30 + 90 [°C]
	With Viton seals	- 20 + 110 [°C]
FILTER ELEMENTS		
<b>MATERIALS</b>	End cap - Inner tube	Zinc plated steel (With water - glycol ask for cover with zinc)
	Filter media	Inorganic micro-fibre glass
<b>REMOVAL RATING</b>		Conforming to ISO 16889
<b>ELEMENT COLLAPSE PRESSURE RATING</b>	Conforming to ISO 2941	2000 [kPa] 20 bar (vers. LC)
		21000 [kPa] 210 bar (vers. HC)

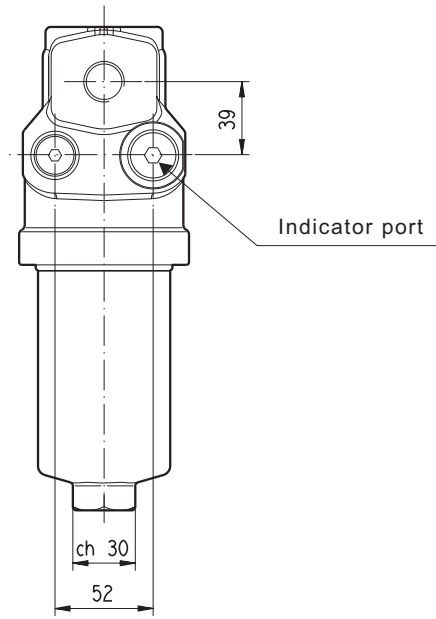
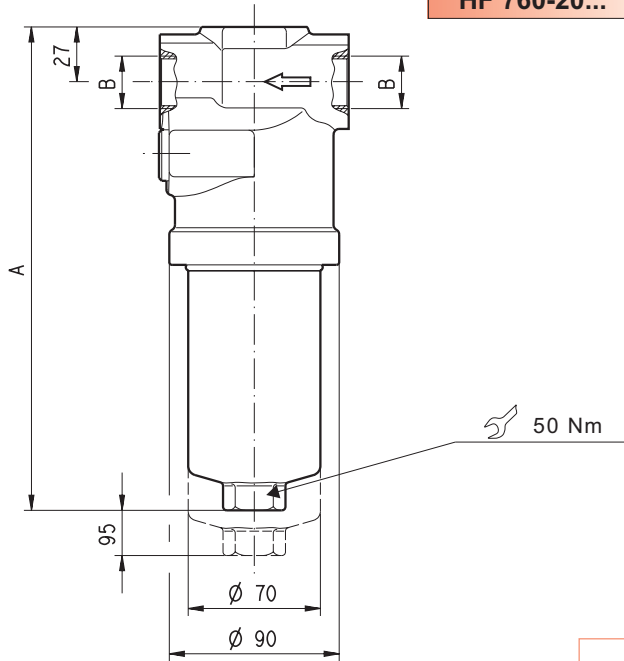
Edition: 03/05.2003

**IKRON S.r.l.**

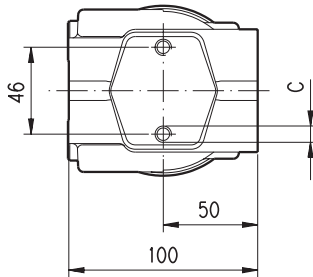
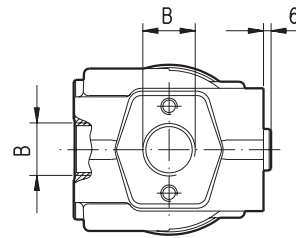
43044 Lemignano di Collecchio (PR) - Italy Via C. Prampolini, 2  
Telephone: (+ 39) 0521 304911 - Fax (+ 39) 0521 304900 - <http://www.casappa.com> - e-mail: [ikron@casappa.com](mailto:ikron@casappa.com)

## TECHNICAL DATA

**HF 760-20...**



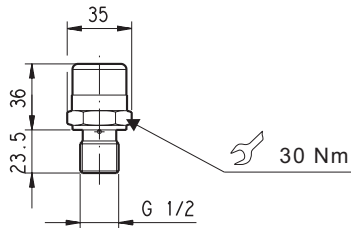
**HF 765-20...**



**VISUAL DIFFERENTIAL INDICATOR**

**H**

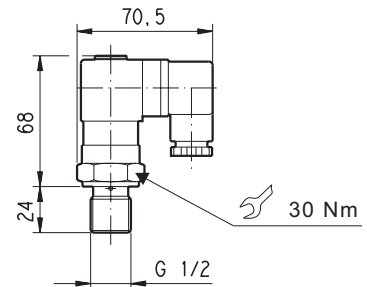
Di11-D09/0901



**VISUAL ELECTR. DIFF. INDICATOR**

**U  
W**

Di11-D12/0901



Filter type		A	B (◆)			C (*)
		mm	GAS (BSPP)	NPT	SAE J514b	
<b>HF 760-20.080</b>	<b>HF 765-20.080</b>	200	G 1/2	1/2 NPT	3/4-16 UNF-2B	M 8
<b>HF 760-20.106</b>	<b>HF 765-20.106</b>	226		3/4 NPT	1-1/16-12 UNF-2B	
<b>HF 760-20.203</b>	<b>HF 765-20.203</b>	323	G 3/4			

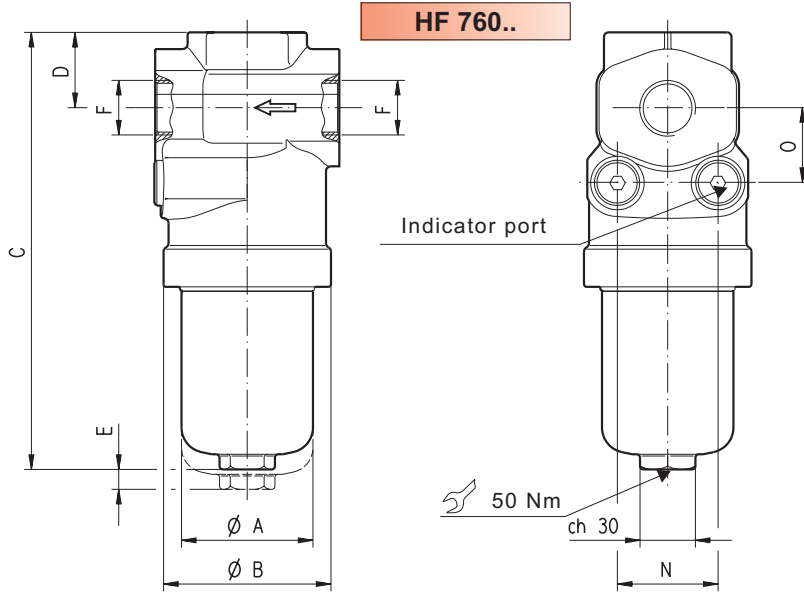
(◆) Please consult our technical department for HF 765 serie.

(\*) The respective threads 5/16-18 UNC-2B is available.

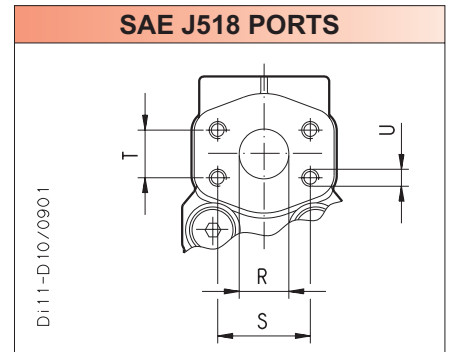
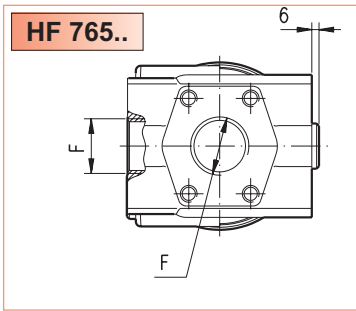
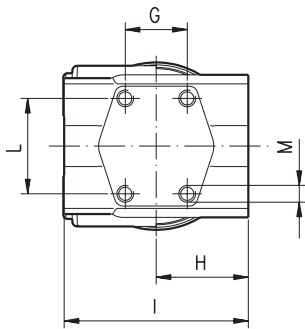
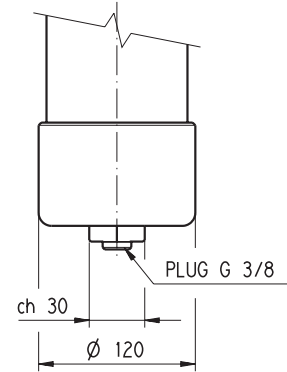
Replaces: 11.98

Di11-002 - 02/10.01

## TECHNICAL DATA



Only for HF760/765 - 40.517



Di11-D08/1001

Di11-D10/0901

SAE J518 - 3000 PSI				
Nominal dimensions	R	S	T	U (*)
	mm	mm	mm	mm
3/4"	19	47,63	22,23	M10
1"	25,4	52,37	26,19	M10
1" 1/4	32	58,72	30,18	M10
1" 1/2	38	69,85	35,71	M12

(\*) The respective UNC threads are available.

SAE J518 - 6000 PSI				
Nominal dimensions	R	S	T	U (*)
	mm	mm	mm	mm
3/4"	19	50,8	23,8	M10
1"	25,4	57,15	27,76	M12
1" 1/4	32	66,68	31,75	M14
1" 1/2	38	79,38	36,5	M16

(\*) The respective UNC threads are available.

Filter type		A	B	C	D	E	G	H	I	L	M	N	O
		mm	mm	mm	mm	mm	mm	mm	mm	mm		mm	mm
HF 760-30.115	HF 765-30.115	78,5	100	252	39	100	37	55	110	57	M10 ①	60	45
HF 760-30.223	HF 765-30.223			360									
HF 760-40.102	HF 765-40.102			276									
HF 760-40.132	HF 765-40.132	105	122	306	47	105	64	70	140	76	M12 ②	70	58
HF 760-40.227	HF 765-40.227			401									
HF 760-40.372	HF 765-40.372			546									
HF 760-40.517	HF 765-40.517			685									

① The respective threads 3/8-16 UNC-2B is available.

② The respective threads 1/2-13 UNC-2B is available.

Filter type		F (◆)				
		GAS (BSPP)	NPT	SAE J514b	SAE J518 - 3000 PSI (■)	SAE J518 - 6000 PSI (■)
HF 760-30.115	HF 765-30.115	G 3/4	3/4 NPT	1-1/16-12 UNF-2B	3/4"	3/4"
HF 760-30.223	HF 765-30.223	G 1	1 NPT	1-5/16-12 UNF-2B	1"	1"
HF 760-40.102	HF 765-40.102	G 1	1 NPT	1-5/8-12 UNF-2B	1" 1/4	1" 1/4
HF 760-40.132	HF 765-40.132					
HF 760-40.227	HF 765-40.227					
HF 760-40.372	HF 765-40.372					
HF 760-40.517	HF 765-40.517	G 1 1/2	1 1/2 NPT	1-7/8-12 UNF-2B	1" 1/2	1" 1/2

(◆) Please consult our technical department for HF 765 serie.

(■) Nominal dimensions.

Replaces: 11.98

Di11-002 - 02/10.01

### GRAPHIC SYMBOLS

Filter	With By-pass valve	With visual differential indicator H	With By-pass valve and visual different. indicator H	With electr.-visual different. indicator U	With By-pass valve and electr.-visual different. indicator U

### HOW TO ORDER A COMPLETE FILTER

	<b>1</b>	<b>2</b>	<b>3</b>	<b>4</b>	<b>5</b>	<b>6</b>	<b>7</b>	<b>8</b>	<b>9</b>
HF760 HF765	20.080 -	AS -	FG003 -	LC -	B60 -	GD -	B -	DD -	G

1	Filter type	CODE
See table page 2 and 3		<b>HF76.</b>
2	Filtering surface	CODE
Standard		<b>AS</b>
Multilayer		<b>MS</b>
3	Degree of filtration	CODE
3 [µm] Micro-fibre glass		<b>FG003</b>
6 [µm] Micro-fibre glass		<b>FG006</b>
10 [µm] Micro-fibre glass		<b>FG010</b>
25 [µm] Micro-fibre glass		<b>FG025</b>
4	Δp - collaps press.	CODE
2000 [kPa]; 20 [bar]		<b>LC</b>
21000 [kPa]; 210 [bar]		<b>HC</b>
5	By-pass valve	CODE
Setting 600 [kPa]; 6 [bar]		<b>B60</b>
None		<b>B00</b>

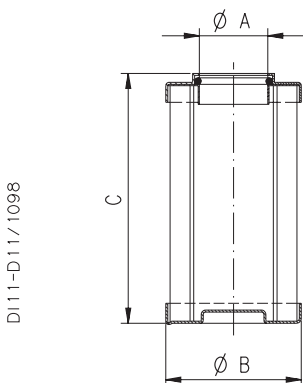
6	Ports IN/OUT	CODE
Thread GAS (BSPP)		
G 1/2		<b>GD</b>
G 3/4		<b>GE</b>
G 1		<b>GF</b>
G 1 1/4		<b>GG</b>
G 1 1/2		<b>GH</b>
SAE J518 - 3000 PSI - Metric thread		
3/4"		<b>MB</b>
1"		<b>MC</b>
1" 1/4		<b>MD</b>
1" 1/2		<b>ME</b>
SAE J518 - 6000 PSI - Metric thread		
3/4"		<b>QB</b>
1"		<b>QC</b>
1" 1/4		<b>QD</b>
1" 1/2		<b>QE</b>

7	Seals	CODE
Buna		<b>B</b>
Viton		<b>V</b>
8	Indicators arrang.	CODE
Arranged		<b>XA</b>
Arranged with plug		<b>DD</b>
9	Indicators	CODE
None		<b>G</b>
Visual differential indicator		<b>H</b>
Visual electrical differ. indicator		<b>U</b>
Visual electrical differ. indicator with thermostat		<b>W</b>

Standard  
 On request

Replaces: 11.98

### FILTERING ELEMENTS HF 760 AND HF 765 - TECHNICAL DATA



Di11-D111/1098

Element type	Ø A	Ø B	C	Standard filtering surface (FG)
	mm	mm	mm	cm <sup>2</sup>
<b>HE K85-20.080</b>	25,5	46,5	87	415
<b>HE K85-20.106</b>			113	560
<b>HE K85-20.203</b>			210	1103
<b>HE K85-30.115</b>	27,5	54,5	122	908
<b>HE K85-30.223</b>			230	1808
<b>HE K85-40.102</b>	40,5	78	110	1757
<b>HE K85-40.132</b>			140	2306
<b>HE K85-40.227</b>			235	4045
<b>HE K85-40.372</b>			380	6700
<b>HE K85-40.517</b>			525	9350

Filtering elements with Δp - collaps pressure of 210 bar are also available (please consult our techn. department).

### HOW TO ORDER A REPLACEMENT ELEMENT

<b>1</b>	<b>2</b>	<b>3</b>	<b>4</b>	<b>5</b>
HE K85-20.080 -	AS -	FG003 -	LC -	B

1	Element type	CODE
See table		<b>HE K85..</b>
2	Filtering surface	CODE
See table ref. 2 ♦		

3	Degree of filtration	CODE
See table ref. 3 ♦		
4	Δp - collaps press.	CODE
See table ref. 4 ♦		

5	Seals	CODE
See table ref. 7 ♦		

♦ Table how to order a filter.

Di11-002 - 02/10.01