

IN-LINE MEDIUM PRESSURE FILTERS HF 745 SERIES

Replaces: HF 745 02 T E



The in-line medium pressure filters HF 745 series are specifically designed to be connected on the pressure line of the hydraulic circuit and provide versatility to safeguard the circuit components from contaminating particles.

- COMPACT DESIGN AND LOW WEIGHT
- GREAT INTERCHANGEABILITY
- MULTILAYER SYSTEM

COMPLETE FILTER		
MATERIALS	Head	Spheroidal cast iron GS 450-10 UNI ISO 1083
	Bowl	Extruded steel
	Seals	Buna - Viton
FLUID COMPATIBILITY CONFORMING TO ISO 2943	With reference to ISO 6743/4	With fluid (HH-HL-HM-HR-HV-HG), water emulsion (HFAE-HFAS) and water - glycol (HFC).
		With synthetic fluid (HS-HFDR-HFDU-HFDS) use filters with Viton seals.
FLOW RANGE	up to	90 [l/min]
MAX. WORKING PRESSURE		28000 [kPa] 280 bar
TESTING PRESSURE		42000 [kPa] 420 bar
BURST PRESSURE		56000 [kPa] 560 bar
OPERATING TEMPERATURE	With Buna seals	- 30 + 90 [°C]
	With Viton seals	- 20 + 110 [°C]
FILTER ELEMENTS		
MATERIALS	End cap - Inner tube	Zinc plated steel (With water - glycol ask for cover with zinc)
	Filter media	Inorganic micro-fibre glass
REMOVAL RATING		Conforming to ISO 16889
ELEMENT COLLAPSE PRESSURE RATING	Conforming to ISO 2941	2000 [kPa] 20 bar (vers. LC)
		21000 [kPa] 210 bar (vers. HC)

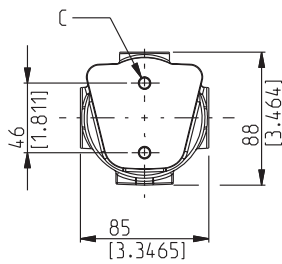
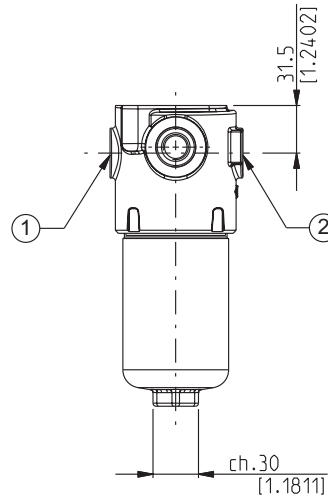
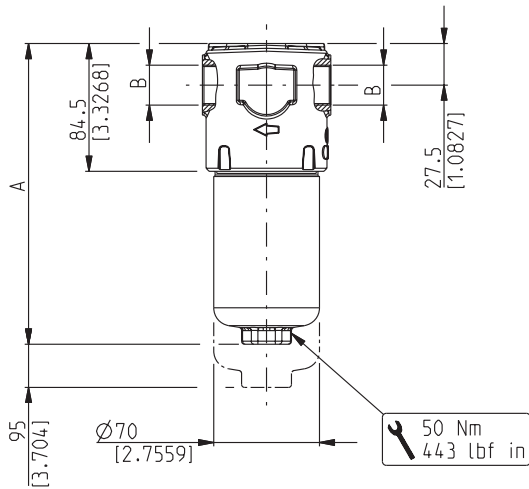
Edition: 03/05.2005

IKRON S.r.l.

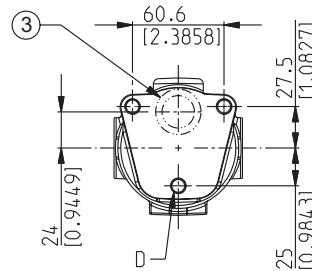
43044 Lemignano di Collecchio (PR) - Italy Via C. Prampolini, 2
Telephone: (+ 39) 0521 304911 - Fax (+ 39) 0521 304900 - <http://www.casappa.com> - e-mail: ikron@casappa.com

TECHNICAL DATA

HF 745-20... F2



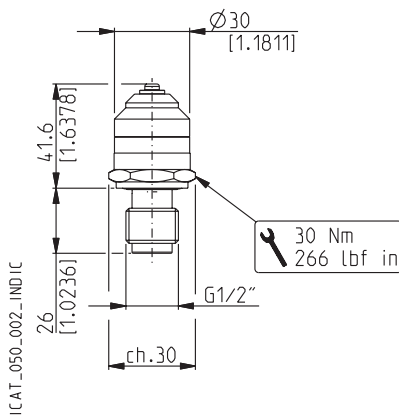
HF 745-20... F3



ICAT_018_001_HF745

VISUAL DIFFERENTIAL INDICATOR

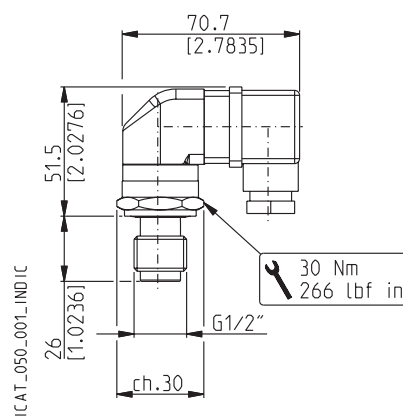
H



ICAT_050_002_INDIC

VISUAL ELECTR. DIFF. INDICATOR

U
W



ICAT_050_001_INDIC

Filter type	A	B			C (◆)	D (*)
	mm	GAS (BSPP)	NPT	SAE J514b	Drilling F2	Drilling F3
HF 745-20.080	173	G 1/2 G 3/4	NPT 1/2	7/8-14 UNF-2B	2 holes M 8	3 holes M 10
HF 745-20.106	199		NPT 3/4	1-1/16-12 UNF-2B		
HF 745-20.203	296					

(◆) On request the threads 5/16-18 UNC-2B is available.

(*) On request the threads 3/8-16 UNC-2B is available.

Replaces: 01/11.02

DI18-002 - 03/05.05

GRAPHIC SYMBOLS

Filter	With By-pass valve	With visual differential indicator H	With By-pass valve and visual different. indicator H	With electr.-visual different. indicator U	With By-pass valve and electr.-visual different. indicator U

Replaces: 02/12.02

HOW TO ORDER A COMPLETE FILTER

1	2	3	4	5
HF 745-20.080	-	AS	-	FG003
-	LC	-	B60	-
6	7	8	9	10
GD	-	B	-	XA
-	H	-	F2	-

1	Filter type	CODE
	See table page 2	HF 745-20.

2	Filtering surface	CODE
	Standard	AS
	Multilayer	MS

3	Degree of filtration	CODE
	3 [µm] Micro-fibre glass	FG003
	6 [µm] Micro-fibre glass	FG006
	10 [µm] Micro-fibre glass	FG010
	25 [µm] Micro-fibre glass	FG025

4	Δp - Collaps pressure	CODE
	2000 [kPa]; 20 [bar]	LC
	21000 [kPa]; 210 [bar]	HC

5	By-pass valve	CODE
	Setting 600 [kPa]; 6 [bar]	B60
	Setting 350 [kPa]; 3,5 [bar]	B35
	None	B00

- Standard
- On request

6	Ports IN/OUT	CODE
	Thread GAS (BSPP)	
	G 1/2	GD
	G 3/4	GE
	Thread NPT	
	NPT 1/2	ND
	NPT 3/4	NE
	Thread SAE J514b	
	7/8-14 UNF-2B	OC
	1-1/16-12 UNF-2B	OD

7	Seals	CODE
	Buna	B
	Viton	V

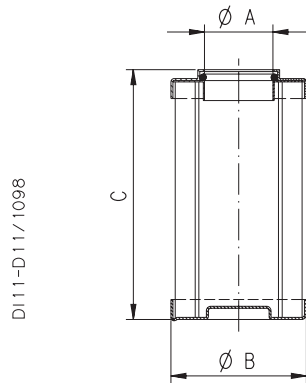
8	Indicators arrangement	CODE
	None	XN
	Right side ①	XA
	Left side ②	XB
	Above ③ (only version F3)	XD

9	Indicators	CODE
	None	G
	Steel plug	D
	Visual differential indicator	H
	Visual electrical differential indicator	U
	Visual electrical differential indicator with thermostat	W

10	Drilling	CODE
	2 Holes M 8	F2
	3 Holes M 10	F3

Di18-002 - 03/05.05

FILTERING ELEMENTS HF 745 - TECHNICAL DATA



Element type	$\varnothing A$	$\varnothing B$	C	Standard filtering surface (FG)
	mm	mm	mm	cm ²
HE K85-20.080	25,5	46,5	87	415
HE K85-20.106			113	560
HE K85-20.203			210	1103

Filtering elements with Δp - collaps pressure of 210 bar are also available (please consult our technical department).

HOW TO ORDER A REPLACEMENT ELEMENT

1	2	3	4	5
HE K85-20.080	- AS	- FG003	- LC	- B

1	Element type	CODE
	See table	HE K85-20.

2	Filtering surface	CODE
	Standard	AS
	Multilayer	MS

3	Degree of filtration	CODE
	3 [µm] Micro-fibre glass	FG003
	6 [µm] Micro-fibre glass	FG006
	10 [µm] Micro-fibre glass	FG010
	25 [µm] Micro-fibre glass	FG025

4	Δp - Collaps pressure	CODE
	2000 [kPa]; 20 [bar]	LC
	21000 [kPa]; 210 [bar]	HC

5	Seals	CODE
	Buna	B
	Viton	V

Standard
 On request