

IN-LINE MEDIUM PRESSURE FILTERS SERIES HF 650



The filters HF 650 series are suitable for working pressure up to 35 bar.

- EASY REPLACEMENT OF FILTERING ELEMENTS
- HIGH FILTRATION PERFORMANCE
- HIGH RESISTANCE FILTERING ELEMENTS

| COMPLETE FILTER | | |
|---|------------------------------|--|
| MATERIALS | Head | Aluminum |
| | Bowl | Steel |
| | Seals | Buna - Viton |
| FLUID COMPATIBILITY CONFORMING TO ISO 2943 | With riference to ISO 6743/4 | With fluid (HH-HL-HM-HR-HV-HG), and water emulsion (HFAE-HFAS) use filters with Buna seals. With water - glycol (HFC) ask for anodizing treatment. |
| | | With synthetic fluid (HS-HFDR-HFDU-HFDS) use filters with Viton seals |
| FLOW RANGE | min. | 50 [l/min] |
| | max. | 140 [l/min] |
| MAX. WORKING PRESSURE | | 3500 [kPa] 35 bar |
| TESTING PRESSURE | | 7000 [kPa] 70 bar |
| BURST PRESSURE | | 10500 [kPa] 105 bar |
| OPERATING TEMPERATURE | With Buna seals | - 30 + 90 [°C] |
| | With Viton seals | - 20 + 110 [°C] |
| FILTER ELEMENTS | | |
| MATERIALS | End cap - Inner tube | Zinc plated steel. With water - glycol ask for tin treatment. |
| | Filter media | Cellulose |
| | | Micro-fibre glass |
| REMOVAL RATING | | Conforming to ISO 16889 |
| ELEMENT COLLAPSE PRESSURE RATING | Conforming to ISO 2941 | 2000 [kPa] 20 bar |

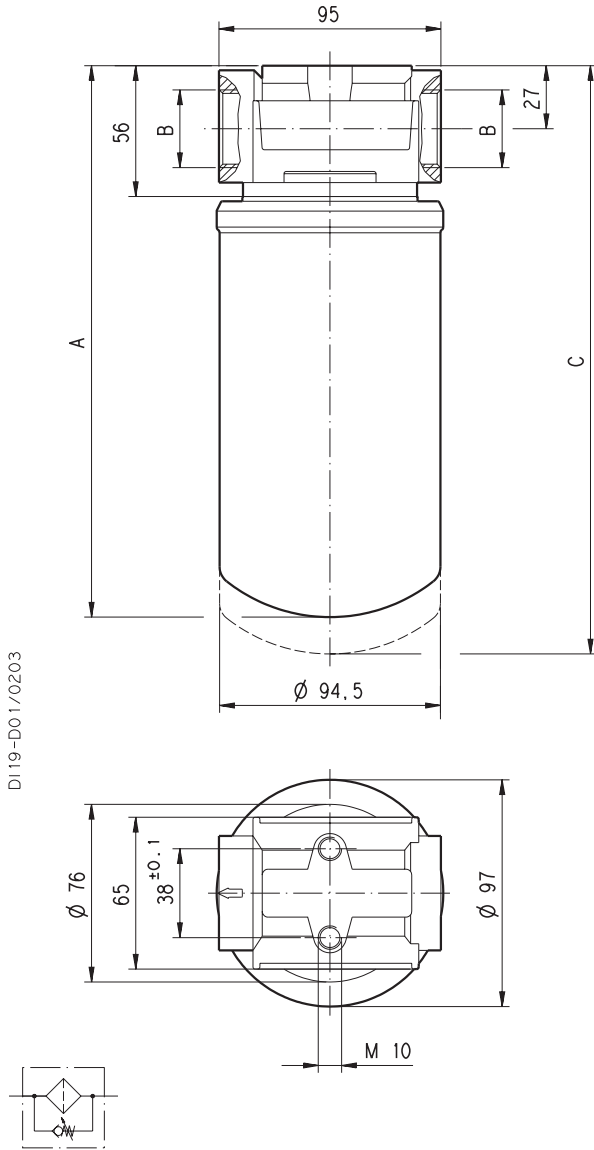
Edition: 01/02.2003

IKRON S.r.l.

43044 Lemignano di Collecchio (PR) - Italy Via C. Prampolini, 2
Telephone: (+ 39) 0521 304911 - Fax (+ 39) 0521 304900 - <http://www.casappa.com> - e-mail: ikron@casappa.com

TECHNICAL DATA

STANDARD FILTER

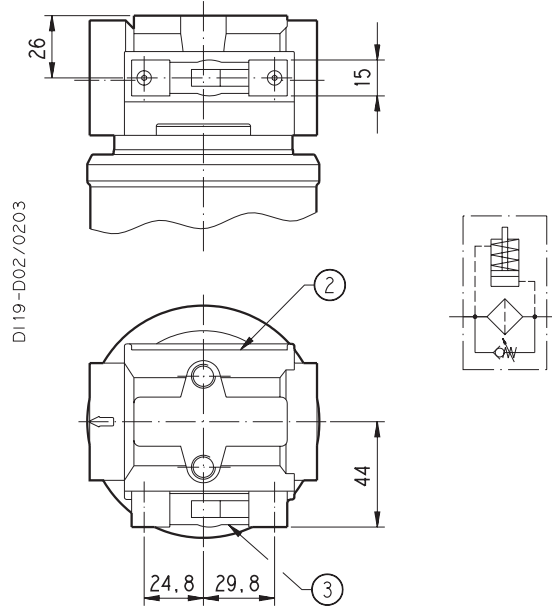


DI19-D01/0203

ARRANGEMENT AND INDICATORS

VISUAL DIFFERENTIAL INDICATOR

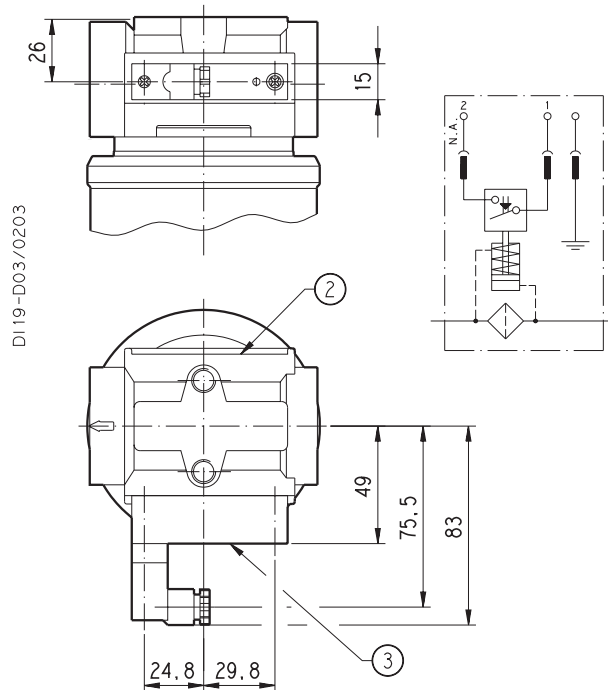
F



DI19-D02/0203

ELECTRICAL DIFF. INDICATOR

Q



DI19-D03/0203

| Filter type | A | B (GAS-BSPP) | | C |
|----------------------|-----|--------------|------------|-----|
| | mm | Standard | On request | mm |
| HF 650-20.140 | 208 | G 3/4 | G 1 | 233 |
| HF 650-20.180 | 236 | G 3/4 | G 1 | 261 |
| HF 650-20.230 | 284 | G 1 | G 3/4 | 309 |

HOW TO ORDER A COMPLETE FILTER

| | | | | |
|---------------|----------|----------|----------|----------|
| 1 | 2 | 3 | 4 | 5 |
| HF 650-20.140 | - | AS | - | FG003 |
| - | - | - | - | B17 |
| - | - | - | - | GE |
| 6 | 7 | 8 | | |
| B | - | XN | - | G |

| 1 | Filter type | CODE |
|---|------------------------------|-----------|
| | See table page 2 | HF650-... |
| 2 | Filtering surface | CODE |
| | Standard | AS |
| 3 | | CODE |
| | 3 [µm] Micro-fibre glass | FG003 |
| | 6 [µm] Micro-fibre glass | FG006 |
| | 10 [µm] Micro-fibre glass | FG010 |
| | 16 [µm] Micro-fibre glass | FG016 |
| | 25 [µm] Micro-fibre glass | FG025 |
| | 10 [µm] Reinforced cellulose | RP010 |
| | 25 [µm] Reinforced cellulose | RP025 |
| 4 | By-pass valve | CODE |
| | None | B00 |
| | Setting 170 [kPa]; 1,7 [bar] | B17 |
| | Setting 350 [kPa]; 3,5 [bar] | B35 |

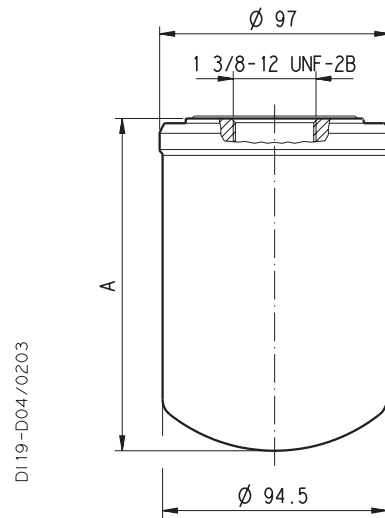
| 5 | Ports IN/OUT | CODE |
|---|-----------------------------------|------|
| | Thread GAS (BSPP) | |
| | G 3/4 | GE |
| | G 1 | GF |
| 6 | Seals | CODE |
| | Buna | B |
| | Viton | V |
| 7 | Indicators arrangement | CODE |
| | None | XN |
| | On the right ② | XA |
| | On the left ③ | XB |
| 8 | Indicators | CODE |
| | None | G |
| | Visual differential indicator | F |
| | Electrical differential indicator | Q |

Standard

On request

FILTERING ELEMENTS - TECHNICAL DATA

| Element type | A | Filtering surface | |
|----------------------|-----|-------------------|------|
| | | cm ² | |
| | mm | FG | RP |
| HE K50-20.140 | 152 | 1890 | 2170 |
| HE K50-20.180 | 180 | 2350 | 2700 |
| HE K50-20.230 | 228 | 3200 | 3700 |



DI19-D04/0203

HOW TO ORDER A REPLACEMENT ELEMENT

| | | | |
|---------------|----------|----------|----------|
| 1 | 2 | 3 | 4 |
| HE K50-20.140 | AS | FG003 | B |

| 1 | Element type | CODE |
|-----------|--|-------------------|
| See table | | HE K50-... |
| 2 | Filtering surface | CODE |
| Standard | | AS |
| 3 | Degree of filtration | CODE |
| 3 | [μm] Micro-fibre glass | FG003 |
| 6 | [μm] Micro-fibre glass | FG006 |
| 10 | [μm] Micro-fibre glass | FG010 |
| 16 | [μm] Micro-fibre glass | FG016 |
| 25 | [μm] Micro-fibre glass | FG025 |
| 10 | [μm] Reinforced cellulose | RP010 |
| 25 | [μm] Reinforced cellulose | RP025 |

| 4 | Seals | CODE |
|-------|-------|----------|
| Buna | | B |
| Viton | | V |

Standard
 On request

DI19-002 - 01/029.03