

# SUCTION AND RETURN IN LINE FILTERS

## SERIES HF 620 - HF 625



The filters HF 620 series are specifically designed to be connected on the suction or in the return line of the hydraulic circuit and provide versatility to safeguard the circuit components from contaminating particles. The filters HF 625 series are suitable for working pressure up to 25 bar.

- ADJUSTABLE SETTING BY-PASS VALVE
- DIFFERENTIAL CONTROL OF THE CLOGGING VALUES

COMPLETE FILTER		
<b>MATERIALS</b>	Head	Aluminum
	Bowl	Steel
	Seals	Buna - Viton
<b>FLUID COMPATIBILITY CONFORMING TO ISO 2943</b>	With riference to ISO 6743/4	With fluid (HH-HL-HM-HR-HV-HG), and water emulsion (HFAE-HFAS) use filters with Buna seals. With water - glycol (HFC) ask for anodizing treatment.
		With synthetic fluid (HS-HFDR-HFDU-HFDS) use filters with Viton seals
<b>FLOW RANGE</b>	min.	20 [l/min]
	max.	400 [l/min]
<b>MAX. WORKING PRESSURE</b>		700 [kPa] 7 bar (HF620) - 2500 [kPa] 25 bar (HF625)
<b>TESTING PRESSURE</b>		1000 [kPa] 10 bar (HF620) - 5000 [kPa] 50 bar (HF625)
<b>BURST PRESSURE</b>		1500 [kPa] 15 bar (HF620) - 7500 [kPa] 75 bar (HF625)
<b>OPERATING TEMPERATURE</b>	With Buna seals	- 30 + 90 [°C]
	With Viton seals	- 20 + 110 [°C]
FILTER ELEMENTS		
<b>MATERIALS</b>	End cap - Inner tube	Zinc plated steel. With water - glycol ask for tin treatment.
	Filter media	Steel
		Cellulose
<b>REMOVAL RATING</b>		Conforming to ISO 16889
<b>ELEMENT COLLAPSE PRESSURE RATING</b>	Conforming to ISO 2941	400 [kPa] 4 bar 1000 [kPa] 10 bar (only for micro-fibre glass or steel wire mesh HE K46 elements)

Replaces: HF 620 01 T E

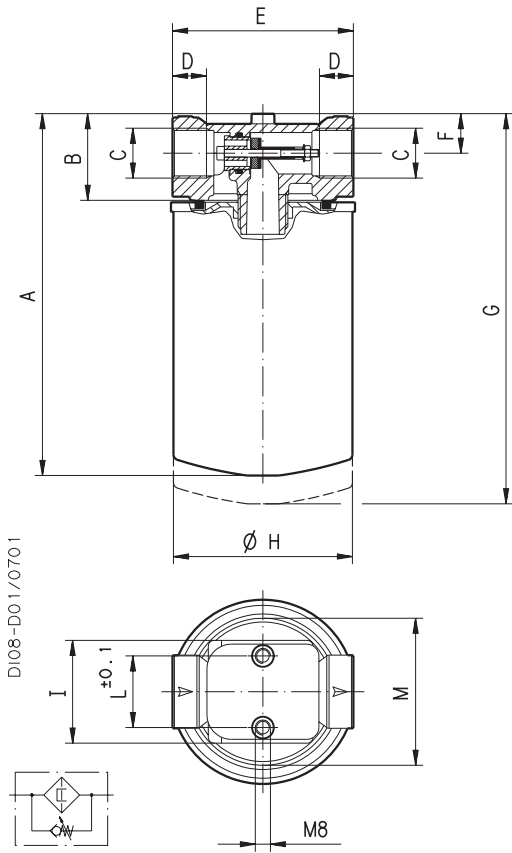
Edition: 02/09.2001

**IKRON S.r.l.**

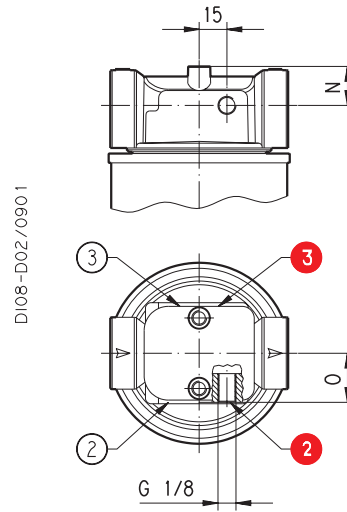
43044 Lemignano di Collecchio (PR) - Italy Via C. Prampolini, 2  
Telephone: (+ 39) 0521 304911 - Fax (+ 39) 0521 304900 - <http://www.casappa.com> - e-mail: [ikron@casappa.com](mailto:ikron@casappa.com)

## TECHNICAL DATA

### STANDARD FILTER



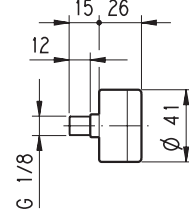
### ARRANGEMENT AND INDICATORS



#### PRESSURE/VACUUM GAUGE

**M**

D108-D10/0701

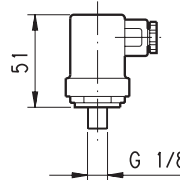


- RETURN
- SUCTION

#### ELECTRICAL INDICATOR

**E**

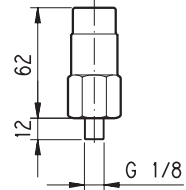
D108-D12/0701



#### VISUAL INDICATOR

**V**

D108-D11/0701

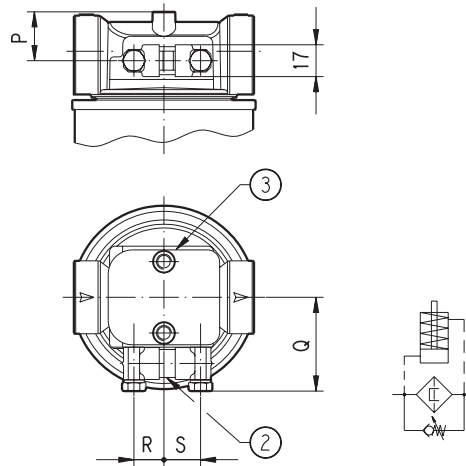


### INDICATOR FOR FILTERS MOUNTED ONLY ON RETURN LINE

#### VISUAL DIFFERENTIAL INDICATOR

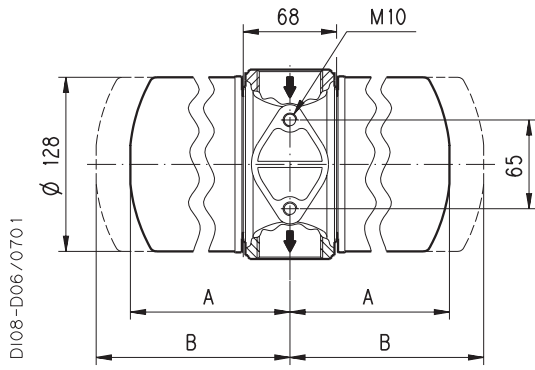
**D**

D108-D04/0701



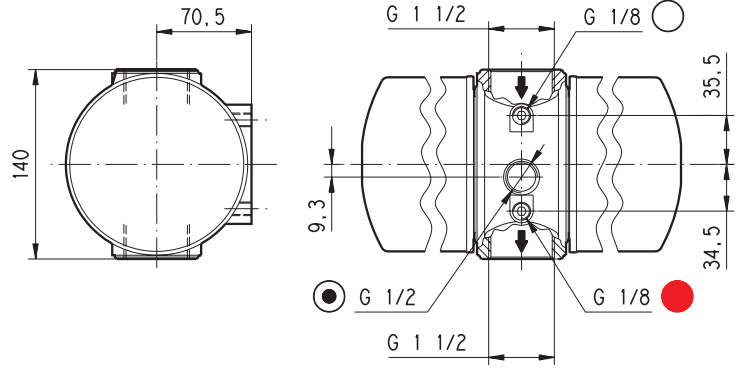
Filter type	A	B	C	D	E	F	G	ØH	I	L	M	N	O	P	Q	R	S
	mm	mm	GAS-BSP	mm	mm	mm	mm	mm	mm	mm	mm	mm	mm	mm	mm	mm	mm
<b>HF 620-20.135</b>	195	46	G 3/4	18	96	21	215	96	54,5	38	78	21	27	26	50	16	19,5
<b>HF 620-20.180</b>	240						260										
<b>HF 620-30.155</b>	248	64	G 1 1/4	22	134	33	273	128	72	50	114	35	36	37	59	15	20,5
<b>HF 620-30.210</b>	292						317										
<b>For working pressure up to 25 bar</b>																	
<b>HF 625-20.135</b>	195	46	G 3/4	18	96	21	215	96	54,5	38	78	21	26,5	26	50	16	19,5
<b>HF 625-20.180</b>	257						277										

## TECHNICAL DATA



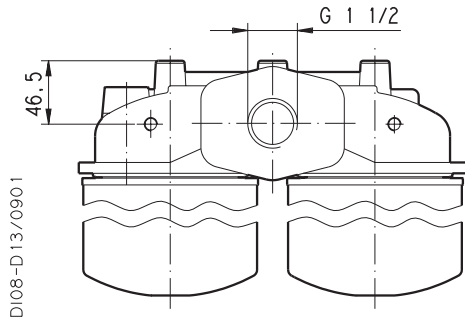
Filter type	A	B
	mm	mm
<b>HF 620-40.155</b>	218	238
<b>HF 620-40.210</b>	262	282

The standard filter is furnished arranged for the indicators (XC) G 1/8 with plug (DA).



- RETURN
- RETURN
- SUCTION

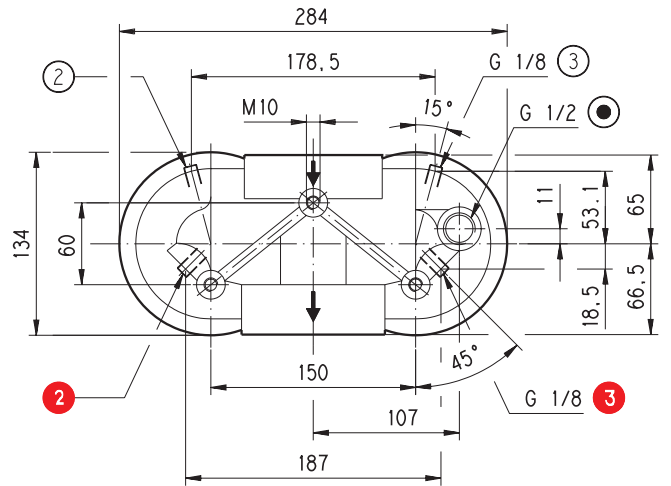
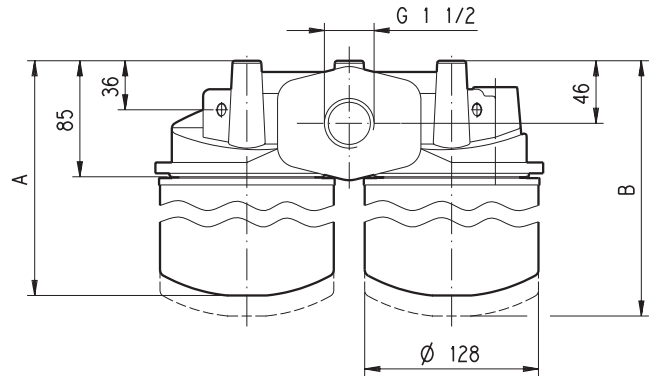
Replaces: 06.98



- RETURN
- RETURN
- SUCTION

Filter type	A	B
	mm	mm
<b>HF 620-50.155</b>	269	291
<b>HF 620-50.210</b>	313	335

The standard filter is furnished arranged for the indicators (XD) G 1/8 with plug (DA).



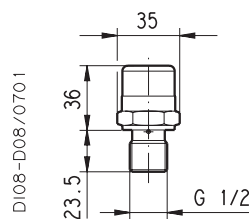
Di08-002 - 02/09.01

SUCTION LINE		
POSITION	INDICATOR	CODE
	PRESSURE/VAC. GAUGE	<b>M</b>
	VISUAL	<b>V</b>
	ELECTRICAL	<b>E</b>
RETURN LINE		
POSITION	INDICATOR	CODE
	PRESSURE/VAC. GAUGE	<b>M</b>
	VISUAL	<b>V</b>
	ELECTRICAL	<b>E</b>
	VISUAL DIFF. INDICATOR	<b>H</b>
	EL. - VISUAL DIFF. INDIC.	<b>L</b>

See drawing and note on the side page.

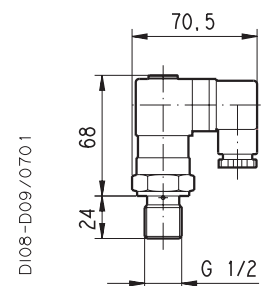
### VISUAL DIFF. INDICATOR

**H**



### EL. - VISUAL DIFF. INDIC.

**L**



## HOW TO ORDER A COMPLETE FILTER

1	2	3	4	5
HF 620-20.135	-	AS	-	MS090
-	-	-	-	B02
6	7	8	9	
B	-	XA	-	GA
-	-	-	-	M

1	Filter type	CODE
See tables		HF62...
2	Filtering surface	CODE
Standard		AS
3	Degree of filtration	CODE
10 [µm] Micro-fibre glass		FG010
25 [µm] Micro-fibre glass		FG025
60 [µm] Steel wire mesh		MS060
90 [µm] Steel wire mesh		MS090
125 [µm] Steel wire mesh		MS125
10 [µm] Cellulose		SP010
25 [µm] Cellulose		SP025
4	By-pass valve	CODE
Setting 20 [kPa]; 0,2 [bar] (suction only)		B02
Setting 170 [kPa]; 1,7 [bar] (return only)		B17
None		B00
5	Inlet port	CODE
Thread GAS (BSPP)		
G 3/4		GE
G 1 1/4		GG
G 1 1/2		GH

6	Seals	CODE
Buna		B
Viton		V
7	Indicators arrang.	CODE
None		XN
On the head - right ②		XA
On the head - left ③		XB
Standard for HF620-40 only		XC
Standard right and left HF620-50 only		XD
8	Dim. Indic. ports	CODE
Thread GAS (BSPP)		
G 1/8		GA
G 1/8 WITH PLUG		DA
G 1/4		GB
G 1/4 WITH PLUG		DB
G 1/2		GD
G 1/2 WITH PLUG		DD
Holes on the wall for ind. D		FP

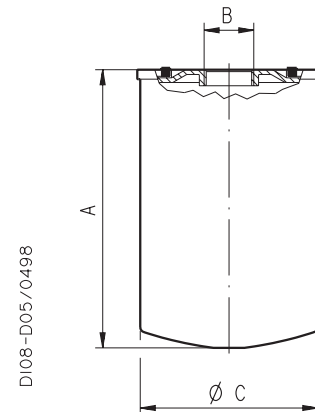
9	Indicators	CODE
None		G
Pressure/vacuum gauge - rear		M
Visual indicator		V
Electrical indicator		E
Visual differential indicator (for HF620-20 - HF620-30 only)		D
Visual differential indicator (for HF620-40 - HF620-50 only)		H
El.-visual differential indicator (for HF620-40 - HF620-50 only)		L

Standard  
 On request

Replaces: 06.98

## FILTERING ELEMENTS - TECHNICAL DATA

Element type	A	B	Ø C
	mm	GAS - BSPP	mm
HE K45-20.135	148	G 3/4	96
HE K45-20.180	193		
HE K45-30.155	183	G 1 1/4	128
HE K45-30.210	227		
For working pressure up to 25 bar			
HE K46-20.135	148	G 3/4	96
HE K46-20.180	210		



## HOW TO ORDER A REPLACEMENT ELEMENT

1	2	3	4
HE K45-20.135	-	AS	-
-	-	-	-
-	-	MS090	-
-	-	-	B

1	Element type	CODE
See table		HEK4...
2	Filtering surface	CODE
Standard		AS

3	Degree of filtration	CODE
10 [µm] Micro-fibre glass		FG010
25 [µm] Micro-fibre glass		FG025
60 [µm] Steel wire mesh		MS060
90 [µm] Steel wire mesh		MS090
125 [µm] Steel wire mesh		MS125
10 [µm] Cellulose		SP010
25 [µm] Cellulose		SP025

4	Seals	CODE
Buna		B
Viton		V

Standard  
 On request

D108-002 - 02/09.01