

TANK MOUNTED RETURN LINE FILTERS SERIES HF 554



Replaces: HF 554 02 T E

The tank mounted filters HF 554 series are specifically designed to be directly connected on the hydraulic circuits return line and provide versatility to safeguard the circuit components from contaminating particles.

- ADJUSTABLE SETTING BY-PASS VALVE - EXTRACTIBLE AND REUSABLE
- OVERSIZE FILTERING SURFACES
- MULTILAYER SYSTEM
- AIR BREATHER

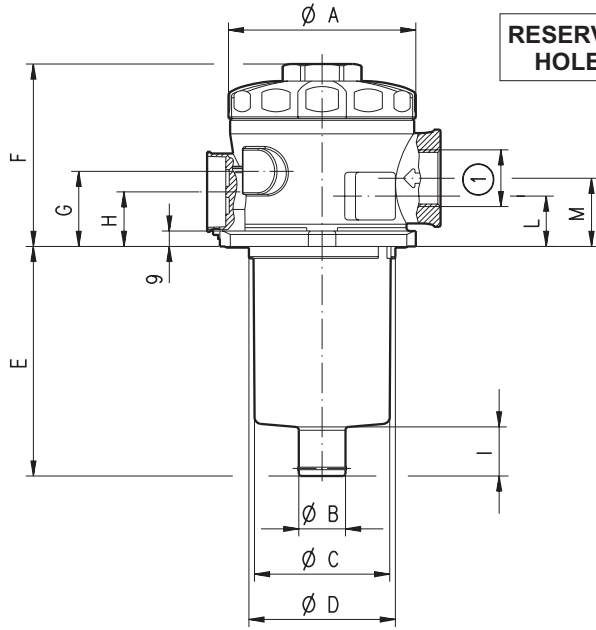
COMPLETE FILTER		
MATERIALS	Cover	Reinforced nylon
	Housing	Anodized aluminum
	Bowl	Reinforced nylon - Steel
	Seals	Buna - Viton
FLUID COMPATIBILITY CONFORMING TO ISO 2943	With reference to ISO 6743/4	With fluid (HH-HL-HM-HR-HV-HG), and water emulsion (HFAE-HFAS) use filters with Buna seals. With water - glycol (HFC) ask for anodizing treatment.
		With synthetic fluid (HS-HFDR-HFDU-HFDS) use filters with Viton seals.
FLOW RANGE	min.	20 [l/min]
	max.	150 [l/min]
MAX. WORKING PRESSURE		800 [kPa] 8 bar
TESTING PRESSURE		1200 [kPa] 12 bar
BURST PRESSURE		1600 [kPa] 16 bar
OPERATING TEMPERATURE	With Buna seals	- 20 + 80 [°C]
	With Viton seals	- 20 + 110 [°C]
FILTER ELEMENTS		
MATERIALS	End cap - Inner tube	Zinc plated steel - Reinforced nylon
	Filter media	Micro-fibre glass
		Phospor bronze
		Steel - Stainless steel
		Cellulose - Reinforced cellulose
REMOVAL RATING		Conforming to ISO 16889
ELEMENT COLLAPSE PRESSURE RATING	Conforming to ISO 2941	1000 [kPa] 10 bar

Edition: 03/09.2001

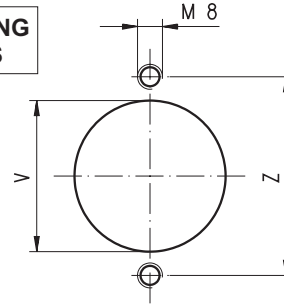
IKRON S.r.l.

43044 Lemignano di Collecchio (PR) - Italy Via C. Prampolini, 2
Telephone: (+ 39) 0521 304911 - Fax (+ 39) 0521 304900 - <http://www.casappa.com> - e-mail: ikron@casappa.com

TECHNICAL DATA

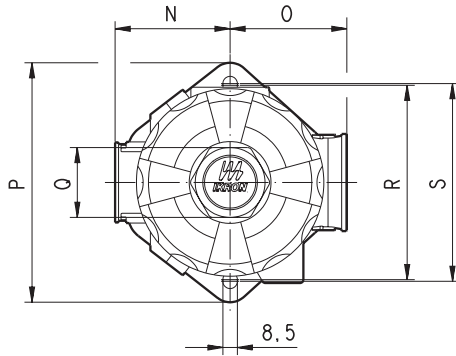
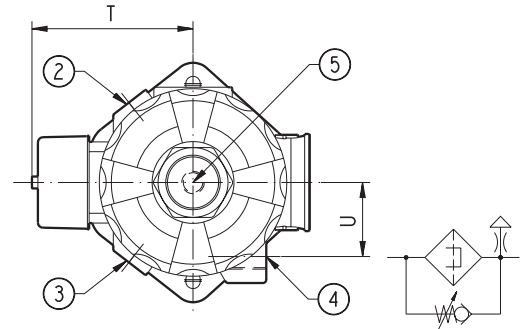


RESERVOIR MOUNTING HOLE DIMENSIONS

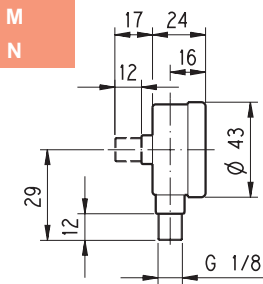


Filter type	V	Z
	mm	mm
HF 554-10.060	68	89 ^{±1}
HF 554-10.129		
HF 554-20.077	87	115 ^{±1}
HF 554-20.122		
HF 554-20.201		

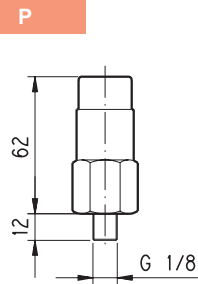
AIR BREATHER VERSION



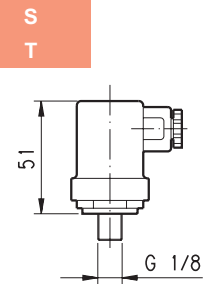
MANO-VACUM METER



VISUAL INDICATOR



ELECTRICAL INDICATOR



Filter type	Ø A	Ø B	Ø C	Ø D	E	F	G	H	I	L	M	N	O	P	Q	R	S	T	U
	mm	mm	mm	mm	mm	mm	mm	mm	mm	mm	mm	mm	mm	mm	mm	mm	mm	mm	mm
HF 554-10.060	84	24	62	67	79,5	81	30	22	22	-	25	55	54	107	32	88	90	73,5	-
HF 554-10.129					148,5														
HF 554-20.077	110	27,4	80,5	86	103	107	44	32	27	30	40	67,5	68,5	140,5	41	114	116	94,5	44
HF 554-20.122					148														
HF 554-20.201					229														

Filter type	① (GAS - BSPP)		②③④ (GAS - BSPP) Secondary inlet		②③⑤ (GAS - BSPP) Indicators	
	Standard (*)	On request (*)	Standard (*)	On request	Standard	On request
HF 554-10.060	G 1/2	G 3/8 - G 3/4	Not available		G 1/8	G 1/4
HF 554-10.129	G 3/4	G 3/8 - G 1/2				
HF 554-20.077	G 3/4	G 1/2 - G 1 - G 1 1/4	G 3/8 - G 1/2		G 1/8	G 1/4
HF 554-20.122	G 1	G 1/2 - G 3/4 - G 1 1/4				
HF 554-20.201	G 1 1/4	G 3/4 - G 1				

(*) NPT, metric and SAE UN-UNF threads are available (consult our technical department).

DI07-D01/0901

DI07-D02/0501

Replaces: 02/05.01

DI07-002 - 03/09.01

HOW TO ORDER A COMPLETE FILTER

1	2	3	4	5	6	7
HF554-20.201	-	AS	-	FB060	-	B17
8	9	10	11	12	13	
Z	-	XA	-	GA	-	M
				YC	-	GC

1	Filter type	CODE
	See table page 2	HF554-...
2	Filtering surface	CODE
	Standard	AS
	Oversize (on request)	FS
	Multilayer (on request)	MS
3	Degree of filtration	CODE
3	[µm] Micro-fibre glass	FG003
6	[µm] Micro-fibre glass	FG006
10	[µm] Micro-fibre glass	FG010
25	[µm] Micro-fibre glass	FG025
60	[µm] Phosphor bronze	FB060
125	[µm] Phosphor bronze	FB125
90	[µm] Steel wire mesh	MS090
25	[µm] Stainless steel wire mesh	MI025
10	[µm] Cellulose	SP010
25	[µm] Cellulose	SP025
10	[µm] Reinforced cellulose	RP010
25	[µm] Reinforced cellulose	RP025
4	By-pass setting valve	CODE
	With By-pass valve setting 170 [kPa]; 1,7 [bar]	B17
	With By-pass valve setting 210 [kPa]; 2,1 [bar]	B21
	With By-pass valve setting 350 [kPa]; 3,5 [bar]	B35
5	Inlet port	CODE
Thread GAS (BSPP)		
	G 3/8	GC
	G 1/2	GD
	G 3/4	GE
	G 1	GF
	G 1 1/4	GG
6	Seals	CODE
	Buna	B
	Viton	V

7	Air breather	CODE
	Without	C
	With breather 10 [µm]	S
	With breather 40 [µm]	U
8	Magnetic set	CODE
	Without	Z
	With magnetic set	R
9	Indicators arrang.	CODE
	Without	XN
	On the housing - right ②	XA
	On the housing - left ③	XB
	On the cover ⑤	XD
10	Dim. indicat. ports	CODE
Thread GAS (BSPP)		
	G 1/8	GA
	G 1/8 WITH PLUG	DA
	G 1/4	GB
	G 1/4 WITH PLUG	DB
11	Indicators	CODE
	Without	G
	Mano-vacuum meter - rear connection	M
	Mano-vacuum meter - radial connection	N
	Visual indicator	P
	Electrical indicator	S
12	Secondary ports	CODE
	Without	YN
	On the housing - right ②	YA
	On the housing - left ③	YB
	On the housing - front, left ④	YC
13	Dim. Secun. ports	CODE
Thread GAS (BSPP)		
	See page 2 and table ref. 5	G..

Replaces: 06.98

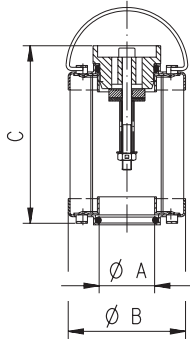
Di07-002 - 02/05.01

 Standard

 On request

Note: On request steel bowl is available.

FILTERING ELEMENTS - TECHNICAL DATA



D107-D04/0501

Element type	Ø A	Ø B	C	Standard filtering surface		
				cm ²		
				FG	FB	SP / RP
HE K05-10.060	24,6	52	79,4	345	225	400
HE K05-10.129			148,4	745	490	860
HE K05-20.077	28,8	70	100,3	700	445	850
HE K05-20.122			145,3	1115	615	1350
HE K05-20.201			225,3	1680	930	2035

Replaces: 06.98

HOW TO ORDER A REPLACEMENT ELEMENT

1		2		3		4		5		6
HE K05-10.060	-	AS	-	FG025	-	VM	-	B17	-	B

1	Element type	CODE
	See table	HE K05..
2	Filtering surface	CODE
	Standard	AS
	Oversize (on request)	FS
	Multilayer (on request)	MS
3	Degree of filtration	CODE
3	[µm] Micro-fibre glass	FG003
6	[µm] Micro-fibre glass	FG006
10	[µm] Micro-fibre glass	FG010
25	[µm] Micro-fibre glass	FG025
60	[µm] Phospor bronze	FB060
125	[µm] Phospor bronze	FB125
90	[µm] Steel wire mesh	MS090
25	[µm] Stainless steel wire mesh	MI025
10	[µm] Cellulose	SP010
25	[µm] Cellulose	SP025
10	[µm] Reinforced cellulose	RP010
25	[µm] Reinforced cellulose	RP025

4	By-pass valve	CODE
	With valve and spring	VM
	With valve - without spring	VV
	Without valve - without spring	OO
5	By-pass setting valve	CODE
	With By-pass setting 170 [kPa]; 1,7 [bar]	B17
	With By-pass setting 210 [kPa]; 2,1 [bar]	B21
	With By-pass setting 350 [kPa]; 3,5 [bar]	B35
6	Seals	CODE
	Buna	B
	Viton	V

Standard

On request

D107-002 - 02/05.01