

TANK MOUNTED RETURN LINE FILTERS SERIES HF 550



Replaces: HF 550 03 T E

The tank mounted filters HF 550 series are specifically designed to be directly connected on the hydraulic circuits return line and provide versatility to safeguard the circuit components from contaminating particles.

- ADJUSTABLE SETTING BY-PASS VALVE - EXTRACTIBLE AND REUSABLE
- OVERSIZE FILTERING SURFACES
- MULTILAYER SYSTEM
- FILLER CAP

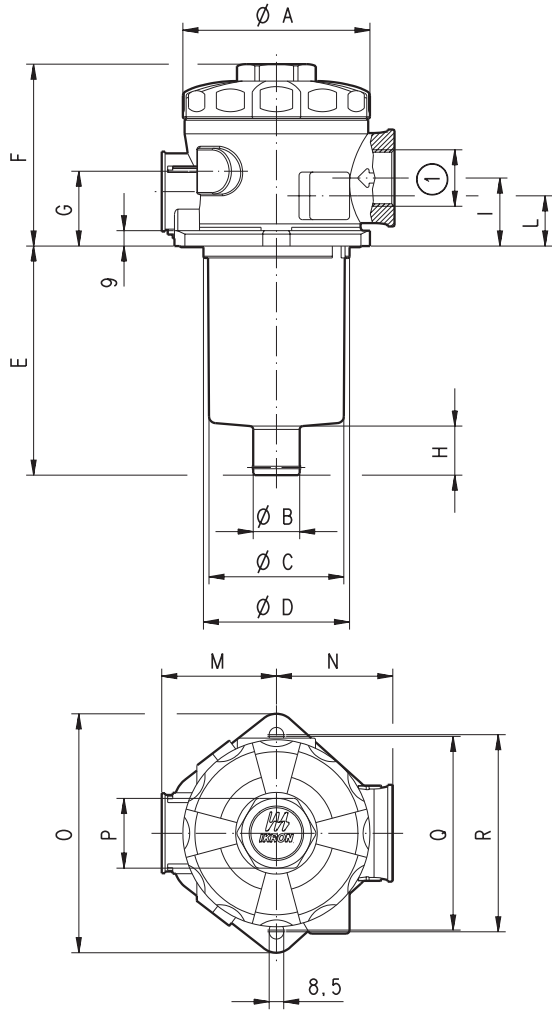
COMPLETE FILTER		
MATERIALS	Cover	Reinforced nylon - Aluminium
	Housing	Aluminium
	Bowl	Reinforced nylon - Steel
	Seals	Buna - Viton
FLUID COMPATIBILITY CONFORMING TO ISO 2943	With reference to ISO 6743/4	With fluid (HH-HL-HM-HR-HV-HG), and water emulsion (HFAE-HFAS) use filters with Buna seals. With water - glycol (HFC) ask for anodizing treatment.
		With synthetic fluid (HS-HFDR-HFDU-HFDS) use filters with Viton seals.
FLOW RANGE	min.	20 [l/min]
	max.	600 [l/min]
MAX. WORKING PRESSURE		800 [kPa] 8 bar
TESTING PRESSURE		1200 [kPa] 12 bar
BURST PRESSURE		1600 [kPa] 16 bar
OPERATING TEMPERATURE	With Buna seals	- 20 + 80 [°C]
	With Viton seals	- 20 + 110 [°C]
FILTER ELEMENTS		
MATERIALS	End cap - Inner tube	Zinc plated steel
	Filter media	Steel - Stainless steel
		Phospor bronze
		Cellulose - Reinforced cellulose
		Micro-fibre glass
REMOVAL RATING		Conforming to ISO 16889
ELEMENT COLLAPSE PRESSURE RATING	Conforming to ISO 2941	1000 [kPa] 10 bar

Edition: 04/09.2001

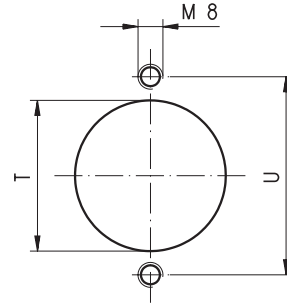
IKRON S.r.l.

43044 Lemignano di Collecchio (PR) - Italy Via C. Prampolini, 2
Telephone: (+ 39) 0521 304911 - Fax (+ 39) 0521 304900 - <http://www.casappa.com> - e-mail: ikron@casappa.com

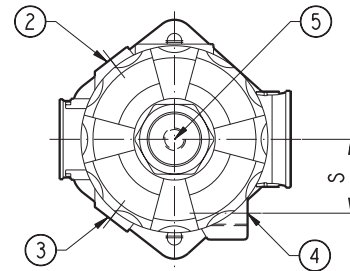
TECHNICAL DATA



RESERVOIR MOUNTING HOLE DIMENSIONS



Filter type	T	U
	mm	mm
HF 550-10.060	68	89 ^{±1}
HF 550-10.129		
HF 550-20.077	87	115 ^{±1}
HF 550-20.122		
HF 550-20.201		

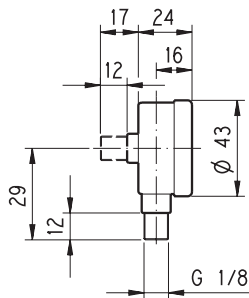


DI03-DO1/0901

Replaces: 03/05.01

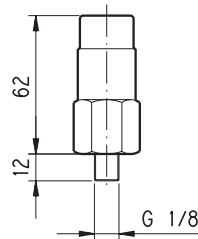
MANO-VACUM METER

M
N



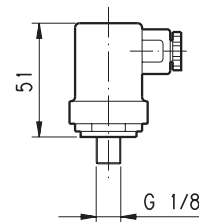
VISUAL INDICATOR

P



ELECTRICAL INDICATOR

S
T



DI03-DO4/0501

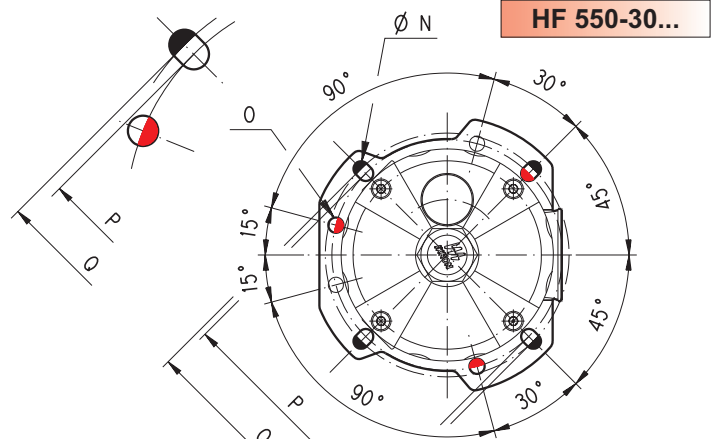
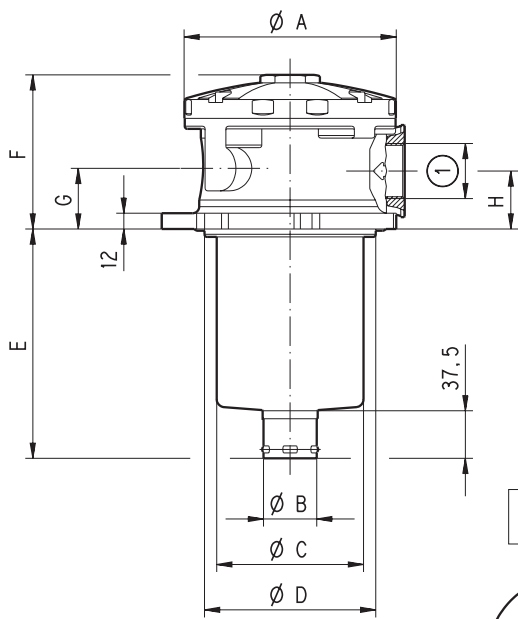
Filter type	Ø A	Ø B	Ø C	Ø D	E	F	G	H	I	L	M	N	O	P	Q	R	S
	mm	mm	mm	mm	mm	mm	mm	mm	mm	mm	mm	mm	mm	mm	mm	mm	mm
HF 550-10.060	84	24	62	67	79,5	81	30	22	25	-	55	54	107	32	88	90	-
HF 550-10.129					148,5												
HF 550-20.077	110	27,4	80,5	86	103	107	44	27	40	30	67,5	68,5	140,5	41	114	116	44
HF 550-20.122					148												
HF 550-20.201					229												

Filter type	① (GAS - BSPP)		②③④ (GAS - BSPP) Secondary inlet		②③⑤ (GAS - BSPP) Indicators	
	Standard (*)	On request (*)	Standard (*)	On request	Standard	On request
HF 550-10.060	G 1/2	G 3/8 - G 3/4	Not available		G 1/8	G 1/4
HF 550-10.129	G 3/4	G 3/8 - G 1/2				
HF 550-20.077	G 3/4	G 1/2 - G 1 - G 1 1/4	G 3/8 - G 1/2		G 1/8	G 1/4
HF 550-20.122	G 1	G 1/2 - G 3/4 - G 1 1/4				
HF 550-20.201	G 1 1/4	G 3/4 - G 1				

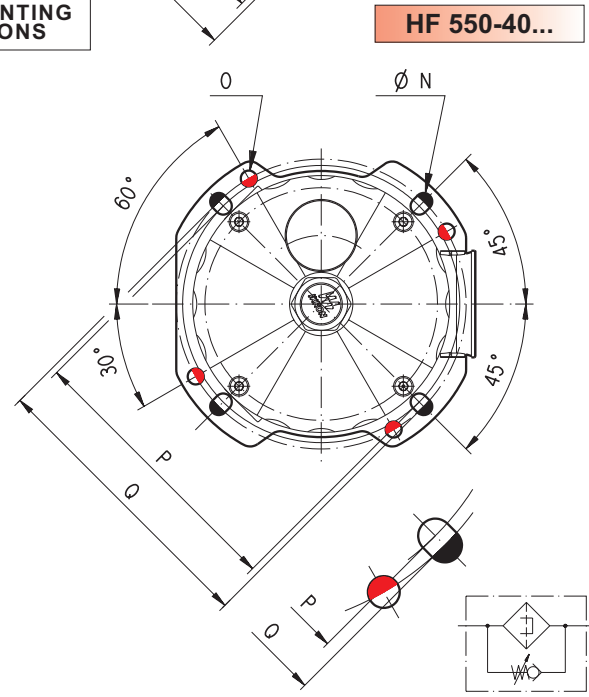
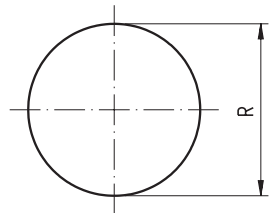
(*) NPT, metric and SAE UN-UNF threads are available (consult our technical department).

DI03-002 - 04/09.01

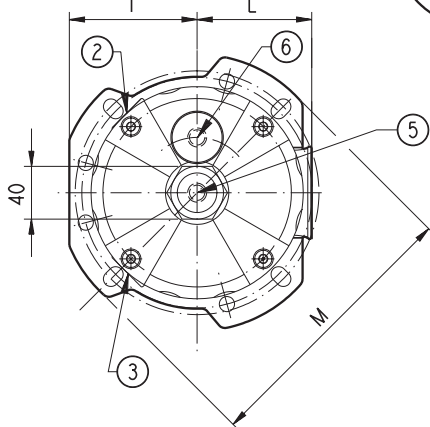
TECHNICAL DATA



RESERVOIR MOUNTING HOLE DIMENSIONS



DI03-D02/0901



Filter type	Ø A	Ø B	Ø C	Ø D	E	F	G	H	I	L	M	Ø N	O	P	Q	R
	mm	mm	mm	mm	mm	mm	mm	mm	mm	mm	mm	mm	mm	mm	mm	mm
HF 550-30.162	160,5	40,5	111	130	225,5	116	46	44	97,5	87	210	12	12	175	185	131
HF 550-30.195					269,5											
HF 550-30.239																
HF 550-40.162	194,5	64	143,5	174	225,5	133,5	51	49	110	117	244	13	12,5	215	220	175
HF 550-40.194		50,5														
HF 550-40.195		64														
HF 550-40.239																

Filter type	① (GAS - BSPP)		②③ Secondary inlet		②③⑤ Indicators		⑥ Filler cap
	Standard (*)	On request (*)	Standard (*)		Standard	On request	
HF 550-30.162	G 1 1/4	G 1 - G 1 1/2	G 3/8 - G 1/2 - G 3/4		G 1/8	G 1/4	G 3/4
HF 550-30.195							
HF 550-30.239							
HF 550-40.162	G 1 1/2	G 2	G 3/8 - G 1/2 - G 3/4		G 1/8	G 1/4	G 1 1/4
HF 550-40.194							
HF 550-40.195							
HF 550-40.239							

(*) NPT, metric and SAE UN-UNF threads are available (consult our technical department).

Replaces: 03/05.01

DI03-002 - 04/09.01

HOW TO ORDER A COMPLETE FILTER

1	2	3	4	5	6	7
HF550-20.077 -	AS -	FB060 -	B17 -	GE -	B	H
8	9	10	11	12	13	
Z -	XA -	GA -	M -	YB -	GC	

1	Filter type	CODE
	See table page 2 and 3	HF550-...
2	Filtering Surface	CODE
	Standard	AS
	Oversize (on request)	FS
	Multilayer (on request)	MS
3	Degree of filtration	CODE
3	[µm] Micro-fibre glass	FG003
6	[µm] Micro-fibre glass	FG006
10	[µm] Micro-fibre glass	FG010
25	[µm] Micro-fibre glass	FG025
60	[µm] Phospor bronze	FB060
125	[µm] Phospor bronze	FB125
90	[µm] Steel wire mesh	MS090
25	[µm] Stainless steel mesh	MI025
10	[µm] Cellulose	SP010
25	[µm] Cellulose	SP025
10	[µm] Reinforced cellulose	RP010
25	[µm] Reinforced cellulose	RP025
4	By-pass valve	CODE
	Setting 170 [kPa]; 1,7 [bar]	B17
	Setting 210 [kPa]; 2,1 [bar]	B21
	Setting 350 [kPa]; 3,5 [bar]	B35

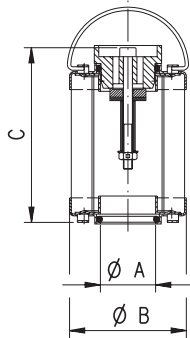
5	Inlet port	CODE
	Thread GAS (BSPP)	
	G 3/8	GC
	G 1/2	GD
	G 3/4	GE
	G 1	GF
	G 1 1/4	GG
	G 1 1/2	GH
	G 2	GL
6	Seals	CODE
	Buna	B
	Viton	V
7	Filler cap	CODE
	Without	H
	With filler cap - only for HF 550-30 and HF 550-40	L
8	Magnetic set	CODE
	Without	Z
	With magnetic set	R
9	Indicators arrang.	CODE
	Without	XN
	On the housing - right side ②	XA
	On the housing - left side ③	XB
	On the cover ⑤	XD

10	Dim. indicat. ports	CODE
	Thread GAS (BSPP)	
	G 1/8	GA
	G 1/8 WITH PLUG	DA
	G 1/4	GB
	G 1/4 WITH PLUG	DB
11	Indicators	CODE
	Without	G
	Mano-vacuum meter rear conn.	M
	Mano-vacuum meter rad. conn.	N
	Visual indicator	P
	Electrical indicator	S
12	Secondary ports	CODE
	Without	YN
	On the housing - right side ②	YA
	On the housing - left side ③	YB
	On the housing - left side ④	YC
13	Dim. Secon. ports	CODE
	Thread GAS (BSPP)	
	See pages 2 - 3 and table ref. 5	G..

Standard
 On request

Note: On request steel bowl is available for HF550-10 and HF550-20.

FILTERING ELEMENTS - TECHNICAL DATA



D103-D05/0501

Element type	Ø A	Ø B	C	Standard filtering surface		
				cm ²		
				FG	FB	SP / RP
HE K05-10.060	24,6	52	79,4	345	225	400
HE K05-10.129			148,4	745	490	860
HE K05-20.077	28,8	70	100,3	700	445	850
HE K05-20.122			145,3	1115	615	1350
HE K05-20.201	41,4		225,3	1680	930	2035
HE K05-30.162	41,4	99	184,8	2590	1700	3000
HE K05-30.195			217,8	3705	2050	4485
HE K05-30.239			261,8	4540	2510	5500
HE K05-40.162	65	130	184,8	5075	2625	5335
HE K05-40.194	51		217,8			
HE K05-40.195			217,8	6110	3160	6425
HE K05-40.239	65		261,8	9035	4390	7875

HOW TO ORDER A REPLACEMENT ELEMENT

1	2	3	4	5	6
HE K05-10.060 -	AS -	FG025 -	VM -	B17 -	B

1	Element type	CODE
	See table	HE K05..
2	Filtering surface	CODE
	See table ref. 2 ♦	
3	Degree of filtration	CODE
	See table ref. 3 ♦	

4	By-pass valve	CODE
	With valve and spring	VM
	With valve - without spring	VV
	Without valve - without spring	OO
5	Setting valve	CODE
	See table ref. 4 ♦	

6	Seals	CODE
	See table ref. 6 ♦	

♦ Table how to order a complete filter.

Replaces: 02/02.00

D103-002 - 03/05.01