

TANK MOUNTED RETURN LINE FILTERS

SERIES HF 547



The tank mounted filters HF 547 series are specifically designed to be directly connected on the hydraulic circuits return line and provide versatility to safeguard the circuit components from contaminating particles.

- FLANGE WITH 4 HOLES
- AIR BREATHER
- ANTISPLASH SYSTEM
- ANODIZED HOUSING

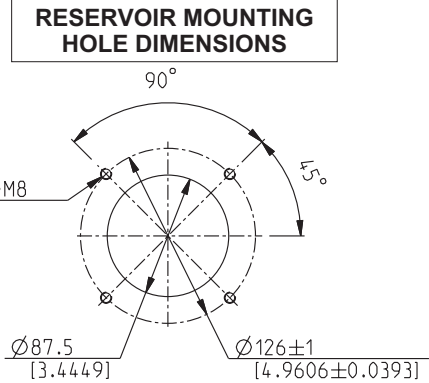
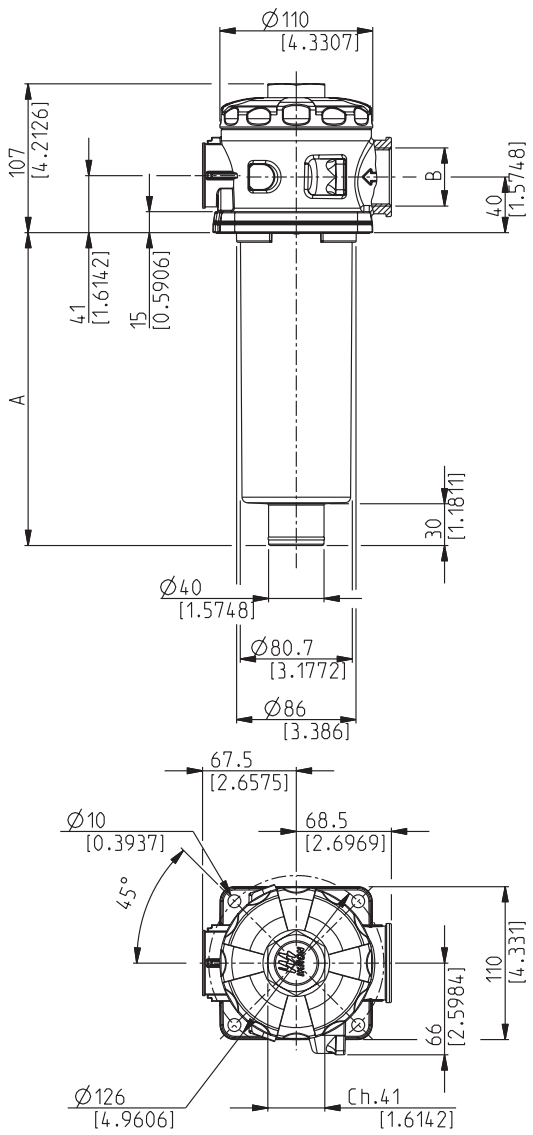
COMPLETE FILTER		
MATERIALS	Cover	Reinforced nylon
	Housing	Anodized aluminum
	Bowl	Reinforced nylon - Steel
	Seals	Buna - Viton
FLUID COMPATIBILITY CONFORMING TO ISO 2943	With reference to ISO 6743/4	With fluid (HH-HL-HM-HR-HV-HG), and water emulsion (HFAE-HFAS) use filters with Buna seals. With water - glycol (HFC) ask for anodizing treatment.
		With synthetic fluid (HS-HFDR-HFDU-HFDS) use filters with Viton seals.
FLOW RANGE	min.	20 [l/min]
	max.	180 [l/min]
MAX. WORKING PRESSURE		800 [kPa] 8 bar
TESTING PRESSURE		1200 [kPa] 12 bar
BURST PRESSURE		1600 [kPa] 16 bar
OPERATING TEMPERATURE	With Buna seals	- 20 + 80 [°C]
	With Viton seals	- 20 + 110 [°C]
FILTER ELEMENTS		
MATERIALS	End cap - Inner tube	Zinc plated steel - Reinforced nylon
	Filter media	Micro-fibre glass
		Phospor bronze
		Steel - Stainless steel
		Cellulose - Reinforced cellulose
REMOVAL RATING		Conforming to ISO 16889
ELEMENT COLLAPSE PRESSURE RATING	Conforming to ISO 2941	1000 [kPa] 10 bar

Edition: 01/11.2004

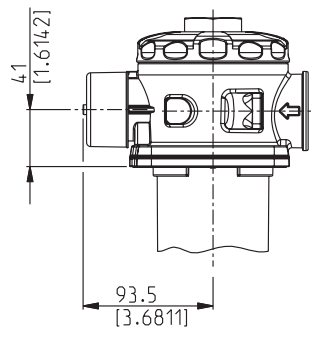
IKRON S.r.l.

43044 Lemignano di Collecchio (PR) - Italy Via C. Prampolini, 2
Telephone: (+ 39) 0521 304911 - Fax (+ 39) 0521 304900 - <http://www.casappa.com> - e-mail: ikron@casappa.com

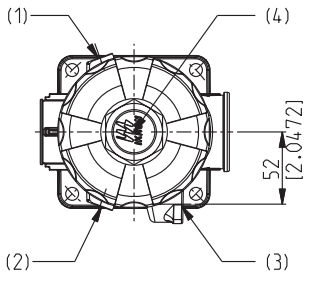
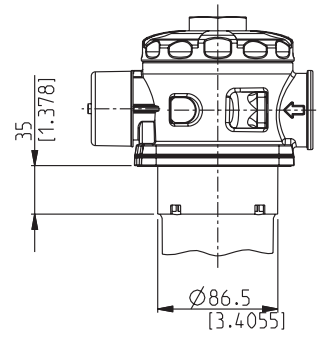
TECHNICAL DATA



WITH AIR BREATHER

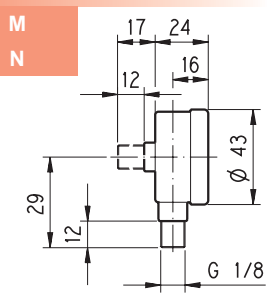


WITH ANTISPLASH



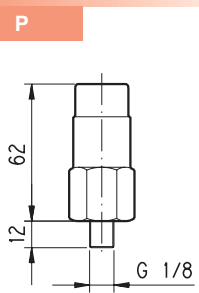
ICAT_021_001-HF547

MANO-VACUM METER

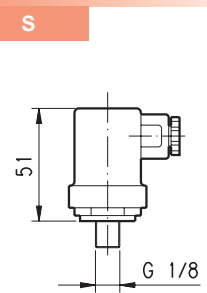


DI07-D02/0501

VISUAL INDICATOR



ELECTRICAL INDICATOR



Filter type	A mm	B (GAS - BSPP)		(3) (GAS - BSPP) Secondary inlet	(1) (2) (4) (GAS - BSPP) Indicators	
		Standard (*)	On request (*)		Standard	On request
HF 547-20.077	103	G 3/4	G 1/2 - G 1 - G 1 1/4	G 3/8	G 1/8	G 1/4
HF 547-20.122	148	G 1	G 1/2 - G 3/4 - G 1 1/4			
HF 547-20.201	229	G 1 1/4	G 3/4 - G 1			
HF 547-20.280	312	G 1 1/4	G 3/4 - G 1			

(*) NPT, metric and SAE UN-UNF threads are available (consult our technical department).

I021-002 - 01/11.04

HOW TO ORDER A COMPLETE FILTER

1	2	3	4	5	6	7
HF547-20.201	-	AS	-	FB060	-	B17
8	9	10	11	12	13	14
Z	-	XA	-	GA	-	M
	-	YC	-	GC	-	A

1	Filter type	CODE
	See table page 2	HF554-...
2	Filtering surface	CODE
	Standard	AS
	Oversize (on request)	FS
	Multilayer (on request)	MS
3	Degree of filtration	CODE
3	[µm] Micro-fibre glass	FG003
6	[µm] Micro-fibre glass	FG006
10	[µm] Micro-fibre glass	FG010
25	[µm] Micro-fibre glass	FG025
60	[µm] Phospor bronze	FB060
125	[µm] Phospor bronze	FB125
90	[µm] Steel wire mesh	MS090
25	[µm] Stainless steel wire mesh	MI025
10	[µm] Cellulose	SP010
25	[µm] Cellulose	SP025
10	[µm] Reinforced cellulose	RP010
25	[µm] Reinforced cellulose	RP025
4	By-pass setting valve	CODE
	With By-pass valve setting 170 [kPa]; 1,7 [bar]	B17
	With By-pass valve setting 210 [kPa]; 2,1 [bar]	B21
	With By-pass valve setting 350 [kPa]; 3,5 [bar]	B35
5	Inlet port	CODE
Thread GAS (BSPP)		
	G 1/2	GD
	G 3/4	GE
	G 1	GF
	G 1 1/4	GG
6	Seals	CODE
	Buna	B
	Viton	V

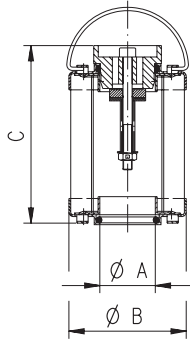
7	Air breather	CODE
	Without	C
	With breather 10 [µm]	S
	With breather 40 [µm]	U
8	Magnetic set	CODE
	Without	Z
	With magnetic set	R
9	Indicators arrang.	CODE
	Without	XN
	On the housing - right ②	XA
	On the housing - left ③	XB
	On the cover ⑤	XD
10	Dim. indicat. ports	CODE
Thread GAS (BSPP)		
	G 1/8	GA
	G 1/8 WITH PLUG	DA
	G 1/4	GB
	G 1/4 WITH PLUG	DB
11	Indicators	CODE
	Without	G
	Mano-vacuum meter - rear connection	M
	Mano-vacuum meter - radial connection	N
	Visual indicator	P
	Electrical indicator	S
12	Secondary ports	CODE
	Without	YN
	On the housing - front, left (3)	YC
13	Dim. Secon. ports	CODE
Thread GAS (BSPP)		
	G 3/8	GC
14	Antisplash	CODE
	Without	O
	With antisplash	A

Standard

On request

Note: On request steel bowl is available.
We supply the dimension 20.280 with steel bowl only.

FILTERING ELEMENTS - TECHNICAL DATA



D107-D04/0501

Element type	Ø A	Ø B	C	Standard filtering surface		
	mm	mm	mm	cm ²		
				FG	FB	SP / RP
HE K05-20.077	28,8	70	100,3	700	445	850
HE K05-20.122			145,3	1115	615	1350
HE K05-20.201	41,4		225,3	1680	930	2035
HE K05-20.280		304,3	2340	1295	2835	

HOW TO ORDER A REPLACEMENT ELEMENT

1		2		3		4		5		6
HE K05-20.201	-	AS	-	FB060	-	VM	-	B17	-	B

1	Element type	CODE
	See table	HE K05..
2	Filtering surface	CODE
	Standard	AS
	Oversize (on request)	FS
	Multilayer (on request)	MS
3	Degree of filtration	CODE
3	[µm] Micro-fibre glass	FG003
6	[µm] Micro-fibre glass	FG006
10	[µm] Micro-fibre glass	FG010
25	[µm] Micro-fibre glass	FG025
60	[µm] Phospor bronze	FB060
125	[µm] Phospor bronze	FB125
90	[µm] Steel wire mesh	MS090
25	[µm] Stainless steel wire mesh	MI025
10	[µm] Cellulose	SP010
25	[µm] Cellulose	SP025
10	[µm] Reinforced cellulose	RP010
25	[µm] Reinforced cellulose	RP025

4	By-pass valve	CODE
	With valve and spring	VM
	With valve - without spring	VV
	Without valve - without spring	OO
5	By-pass setting valve	CODE
	With By-pass setting 170 [kPa]; 1,7 [bar]	B17
	With By-pass setting 210 [kPa]; 2,1 [bar]	B21
	With By-pass setting 350 [kPa]; 3,5 [bar]	B35
6	Seals	CODE
	Buna	B
	Viton	V

Standard

On request